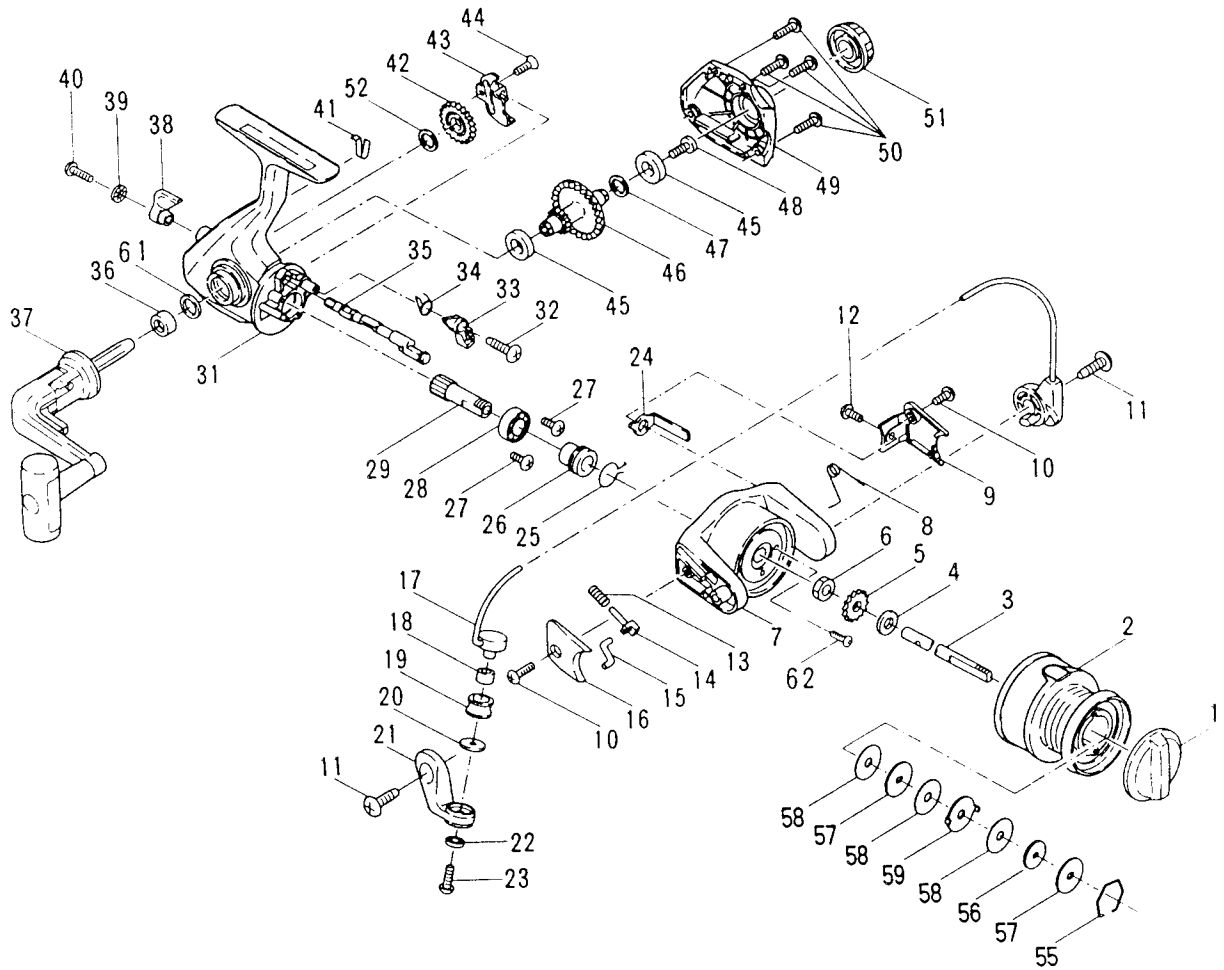




PARTS AND PRICE LIST FOR MODEL 2000



Key No.	Part No.	Description	Price	Key No.	Part No.	Description	Price
1	052 1500	Drag Knob Asm. w/Spring	\$5.50	33	004 1500	Anti-Reverse Dog	\$.85
2	047 2000	Spool Assembly	15.00	34	004A1500	Dog Spring	.95
3	039 2000	Spool Shaft	4.50	35	006A1500	Eccentric Shaft	2.20
4	060 1500	Thrust Washer	.50	36	015A1000	Handle Spacer	.50
5	040B2000	Click Ratchet	.80	37	015 1000	Handle Assembly	10.50
6	038 1000	Rotor Nut	.50	38	006E1000	Eccentric Lever	.50
7	027 2000	Rotor Cup	8.25	39	006G1000	Thrust Washer	.45
8	106 2000	Cam Lever Spring	.50	40	006F1000	Ecc. Lever Mounting Screw	.45
9	227 2000	Cam Lever Cover	1.75	41	006D1000	Ecc. Shaft Spring	.50
10	050 1000	Cover Screws (2 req.)	.45	42	231 1500	Crosswind Gear	1.10
11	031A1000	Arm Screws (2 req.)	.50	43	043 1500	Crosswind Block	1.10
12	028B1500	Cam Lever Mtg. Screw	.50	44	044 1500	Crosswind Block Screw	.45
13	034C1500	Pivot Spring	.50	45	002A1000	Cover & Housing Bushings (2 req.)	1.05
14	034B1000	Pivot Shaft	.50	46	008 1500	Main Gear	4.00
15	034A1500	Pivot Arm	.50	47	008A1500	Main Gear Shim	.40
16	027A2000	Bail Pivot Cover	2.25	48	009A1000	Standard Drive Screw	.90
17	024 2000	Bail Wire Assembly	7.50	49	045 2000	Housing Cover	5.50
18	035A1000	Line Roller Bushing	.50	50	046 1000	Cover Screws (4 req.)	.45
19	035 1000	Line Roller	2.25	51	233 1000	Bearing Cover	2.15
20	132 1000	Roller Washer	.80	52	231A1500	Crosswind Gear Shim	.40
21	034 1500	Bail Arm	2.25	**	**048 2000	Spool Click Tongue	.50
22	022A875	Washer	.50	**	**022 1000	Click Tongue Screw	.50
23	036 1000	Bail Stud Screw	.50	55	051 1000	Drag Retaining Ring	.40
24	028A2000	Cam Lever	1.05	56	052A1000	Drag Washer (Thick)	.40
25	230 1500	Silent Dog Spring	.50	57	057 1000	Keyed Drag Washers (2 req.)	.55
26	019A1500	Pinion Spacer	.90	58	006 1000	Teflon Drag Washers (3 req.)	.60
27	023 1000	Bearing Mtg. Screws (2 req.)	.50	59	058 1000	Ear Drag Washer (1)	.60
28	020 1000	Ball Bearing	7.75	**	**040C4000	Click Washer	.45
29	019 1500	Pinion Gear	4.25	61	015B900	Handle Washer	.55
31	001 2000	Housing	12.50	62	305 875	Rotor Nut Locking Screw	.40
32	003 1500	Dog Mounting Screw	.60				